

Ridgeguide Switch Series - WRD180

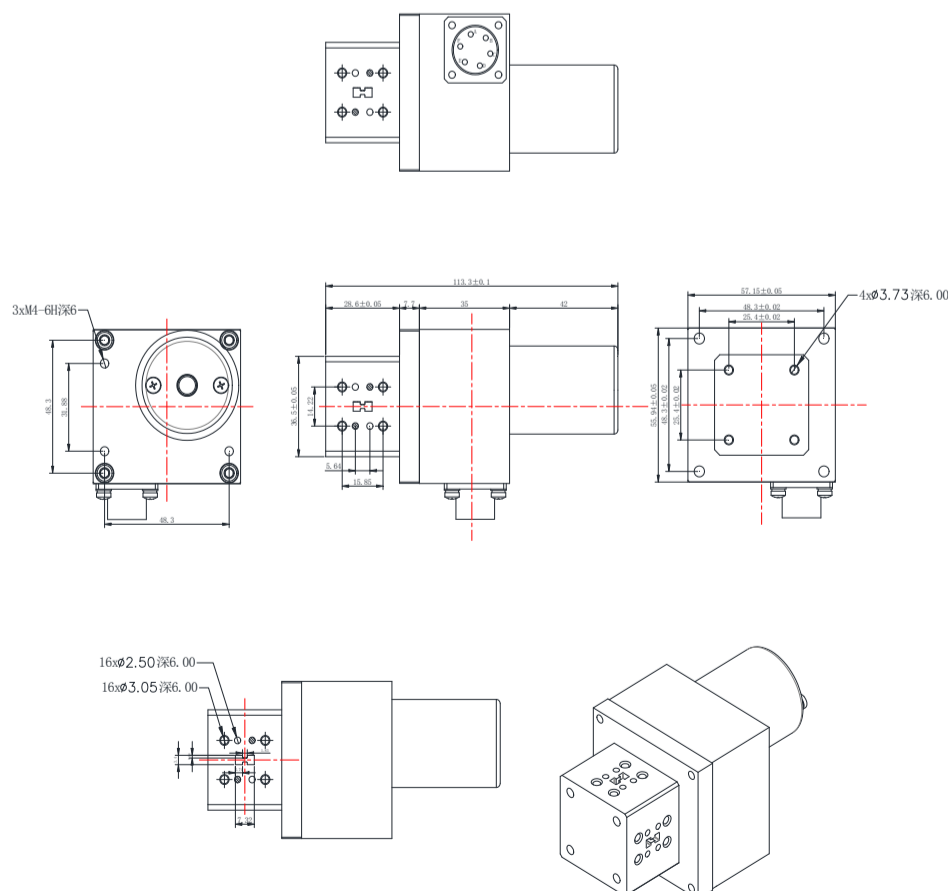
Electrical Specifications:

Parameter	Minimum	Typical	Maximum
Frequency	17.3GHz		40GHz
Insertion Loss			0.3dB
Isolation	70dB		
VSWR			1.2:1
Voltage		+22 VDC	+32 VDC
Pressure			30 PSIG
Power Handling			2.5KW
Operating Temp	-40°C		+85°C
Storage Temp	-50°C		+85°C

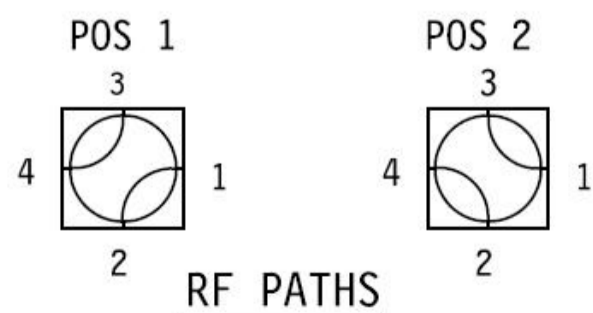
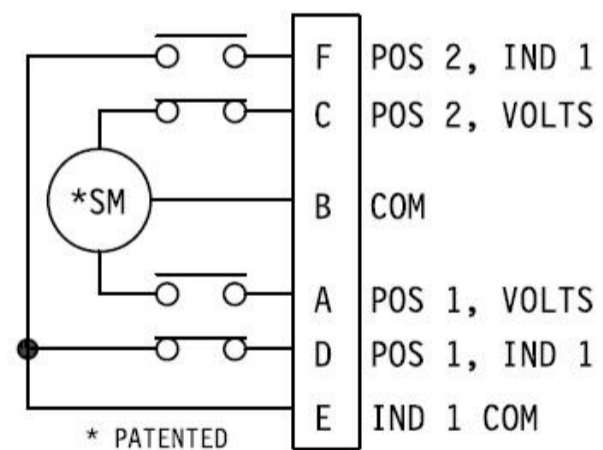
Mechanical Specifications:

Item	Specification				
	Code	Connector	Pin	Definition	Note
Ports	J1	DB180	--	PORT1	--
	J2	DB180	--	PORT2	--
	J3	DB180	--	PORT3	--
	J4	DB180	--	PORT4	--
Ports	--	JMS3112E10-6P	A	POS1,VOLTS	
			B	COM	--
			C	POS2,VOLTS	--
			D	POS1,IND1	--
			E	IND1,COM	--
			F	POS2,IND1	--

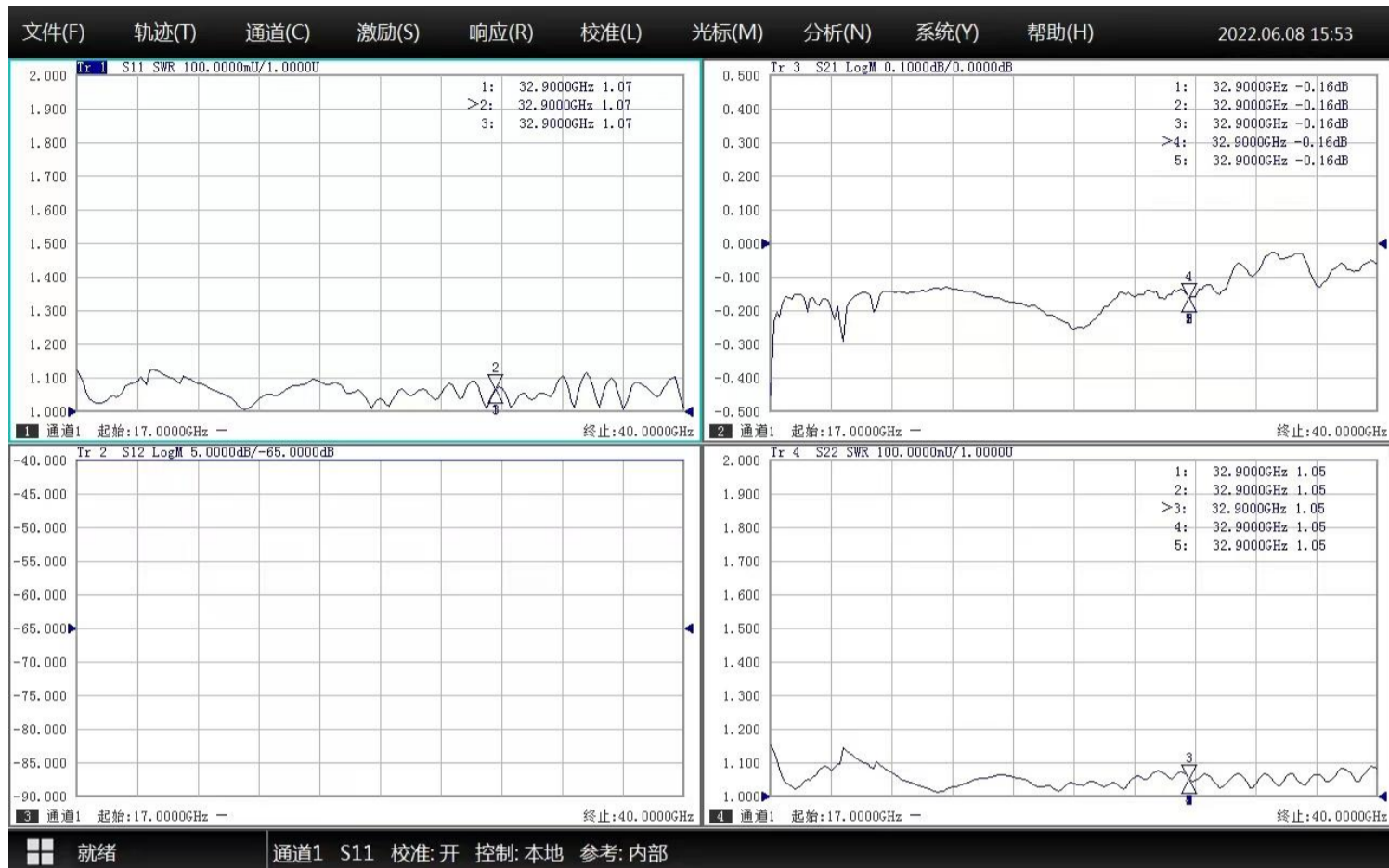
Outline: (All dimensions are in millimeters)



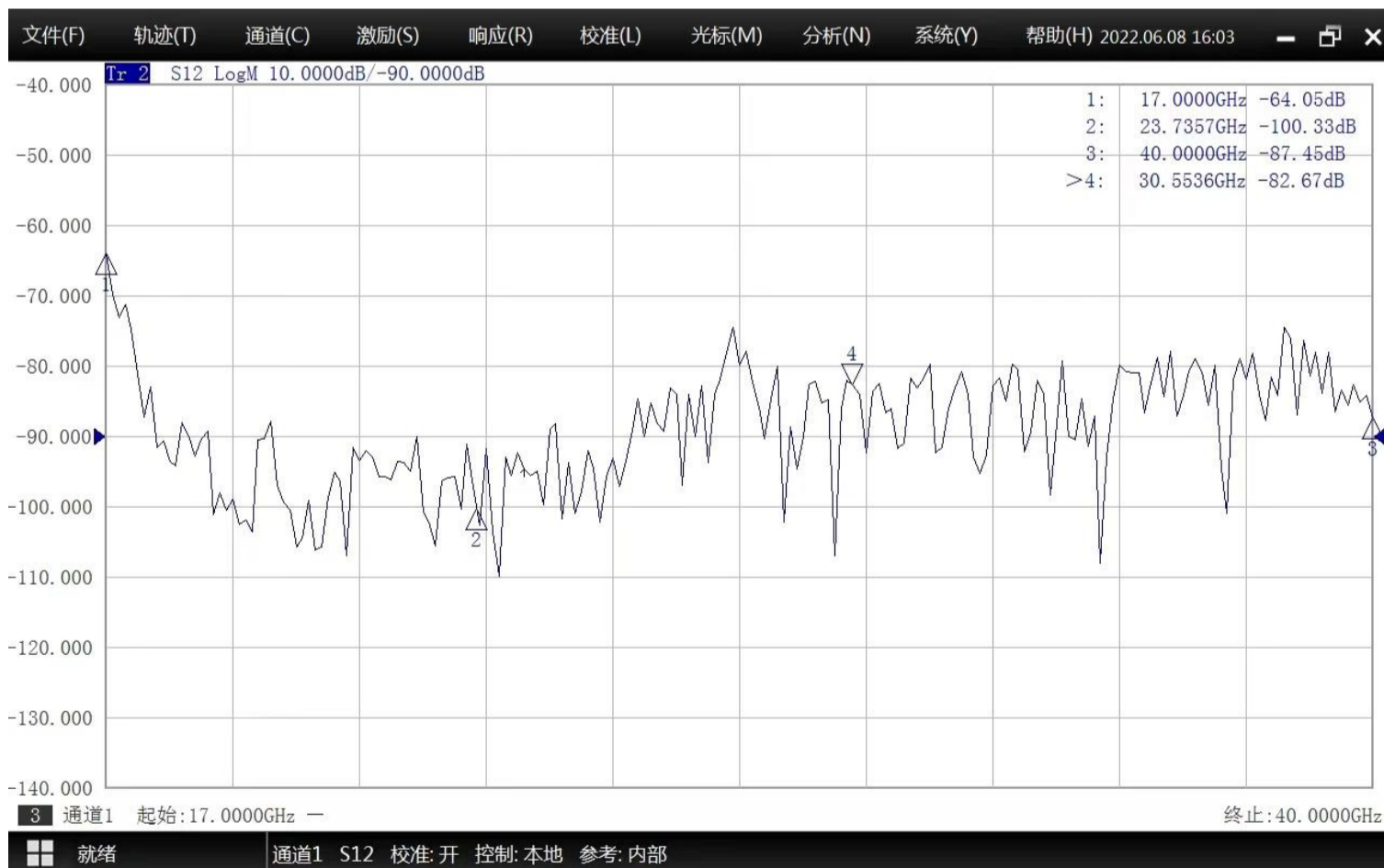
Switching Schematics:



Typical Testing Curves:



VSWR Input vs. Insertion Loss



Isolation

Caution: Physical dimensions may differ slightly from the above, subject to the actual product.